

MICROBOXER

ÇİFT DİYAFRAMLI HAVALI POMPA

Emme / basma hatları	G 1/2"
Hava giriş portu	G 1/4"
Max. kapasite	35 l/min
Max. basınç	8 bar
Max. basma yüksekliği	80 m
Max. katı partikül boyutu	2 mm
Ses seviyesi	65 dB



AISI 316 L

MICROBOXER



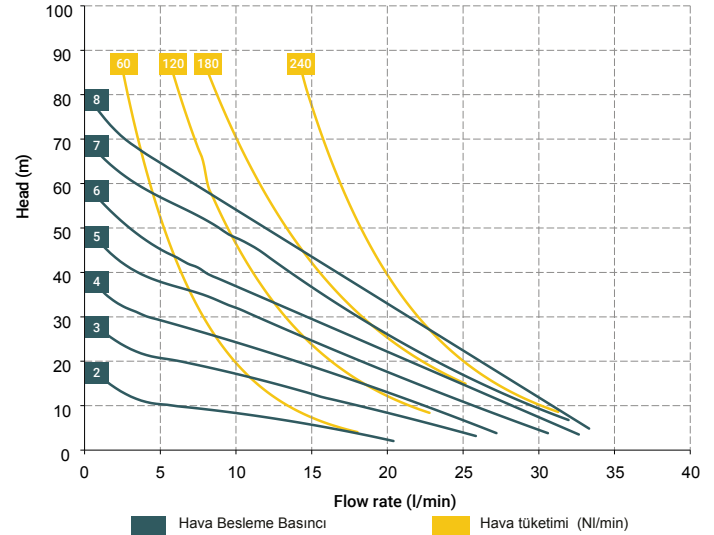
Maximum Ölçüler

Yükseklik	171 mm
Genişlik	177 mm
Derinlik	120 mm

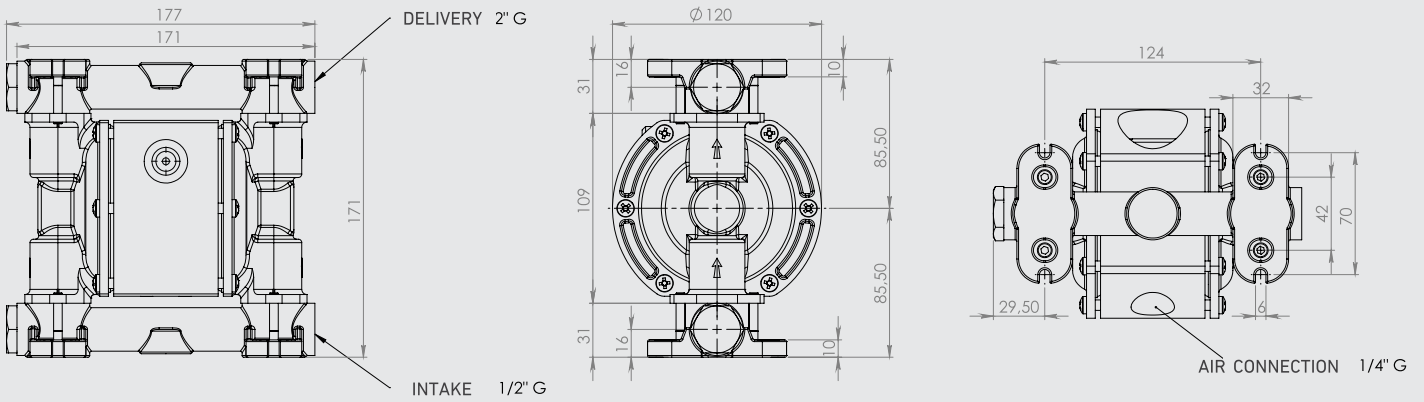


Gövde Malzemesi (Şase ve Manifoldlar)

AISI 316 L	3.75 Kg
	Max. 3°C min.
	95°C max



*The curves and the performances refer to pumps with immersed suction and open delivery outlet, with water at 20°C and vary based on the composition materials.



ANA UYGULAMA SEKTÖRLERİ



PRODUCTION AND STORAGE OF BIOIESEL



CHEMICAL INDUSTRY



PAINT INDUSTRY



GALVANIC AND ELECTRONIC INDUSTRY



GOLD PROCESSING INDUSTRY



GRAPHIC INDUSTRY



