

MICROBOXER

ÇİFT DİYAFRAMLI HAVALI POMPA

Emme / basma hatları	G 1/2"
Hava giriş portu	G 1/4"
Max. kapasite	35 l/min
Max. basınç	8 bar
Max. basma yükseliği	80 m
Max. katı partikül boyutu	2 mm
Ses seviyesi	65 dB



ALU

MICROBOXER



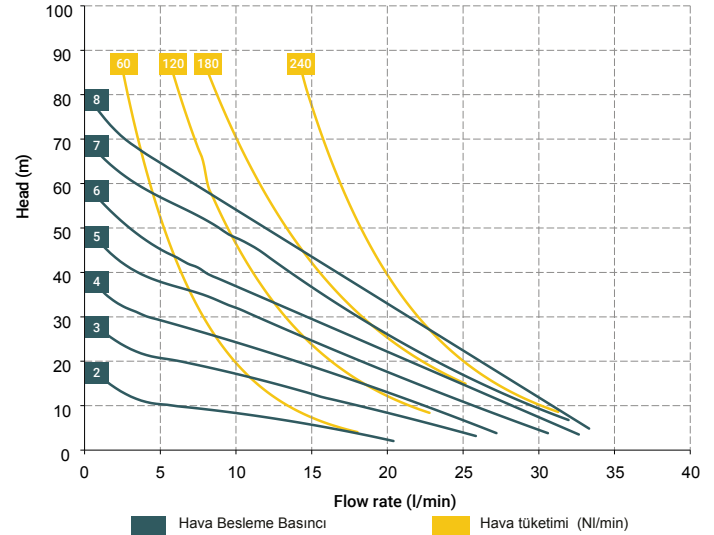
Maximum Ölçüler

Yükseklik	172 mm
Genişlik	164 mm
Derinlik	120 mm

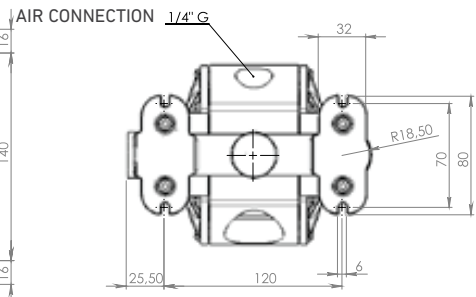
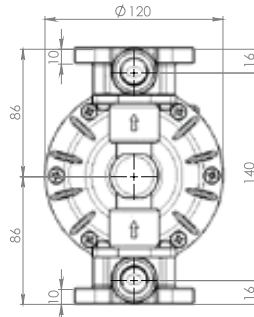
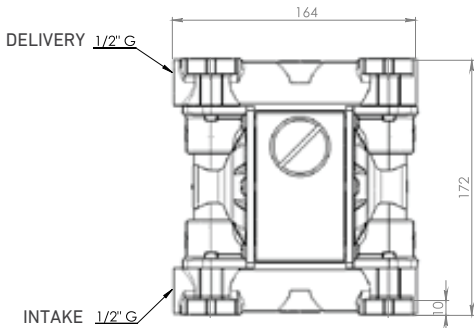


Gövde Malzemesi (Şase ve Manifoldlar)

ALU	2.1 Kg
	Max. 3°C min.
	95°C max



*The curves and the performances refer to pumps with immersed suction and open delivery outlet, with water at 20°C and vary based on the composition materials.



ANA UYGULAMA SEKTÖRLERİ



PRODUCTION AND STORAGE
OF BIOETHANOL



CHEMICAL INDUSTRY



PAINT INDUSTRY



GALVANIC AND ELECTRONIC
INDUSTRY



GOLD PROCESSING
INDUSTRY



GRAPHIC INDUSTRY



